

AddStoris

Tissue box

Surfaces: **Brushed Black Chrome**

Article Number: **41774340**



Description

product features

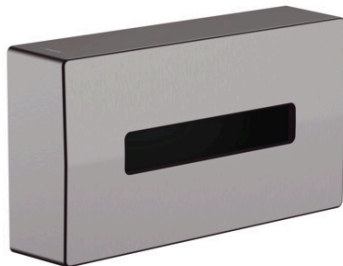
- wall-mounted
- adhesive attachment, screw fastening
- material: plastic
- suitable for customary tissue boxes
- easy removal of the lid for easy filling
- with mounting material
- concealed fastening
- drilling distance 200 mm
- diameter drill hole: 6 mm
- horizontal or vertical installation

Design awards

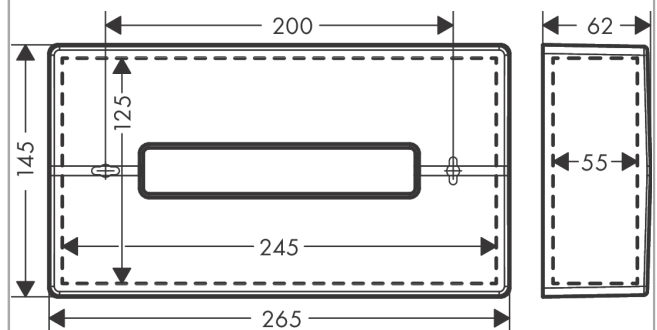


reddot winner 2021

Product image



Scale drawing



AddStoris
Tissue box

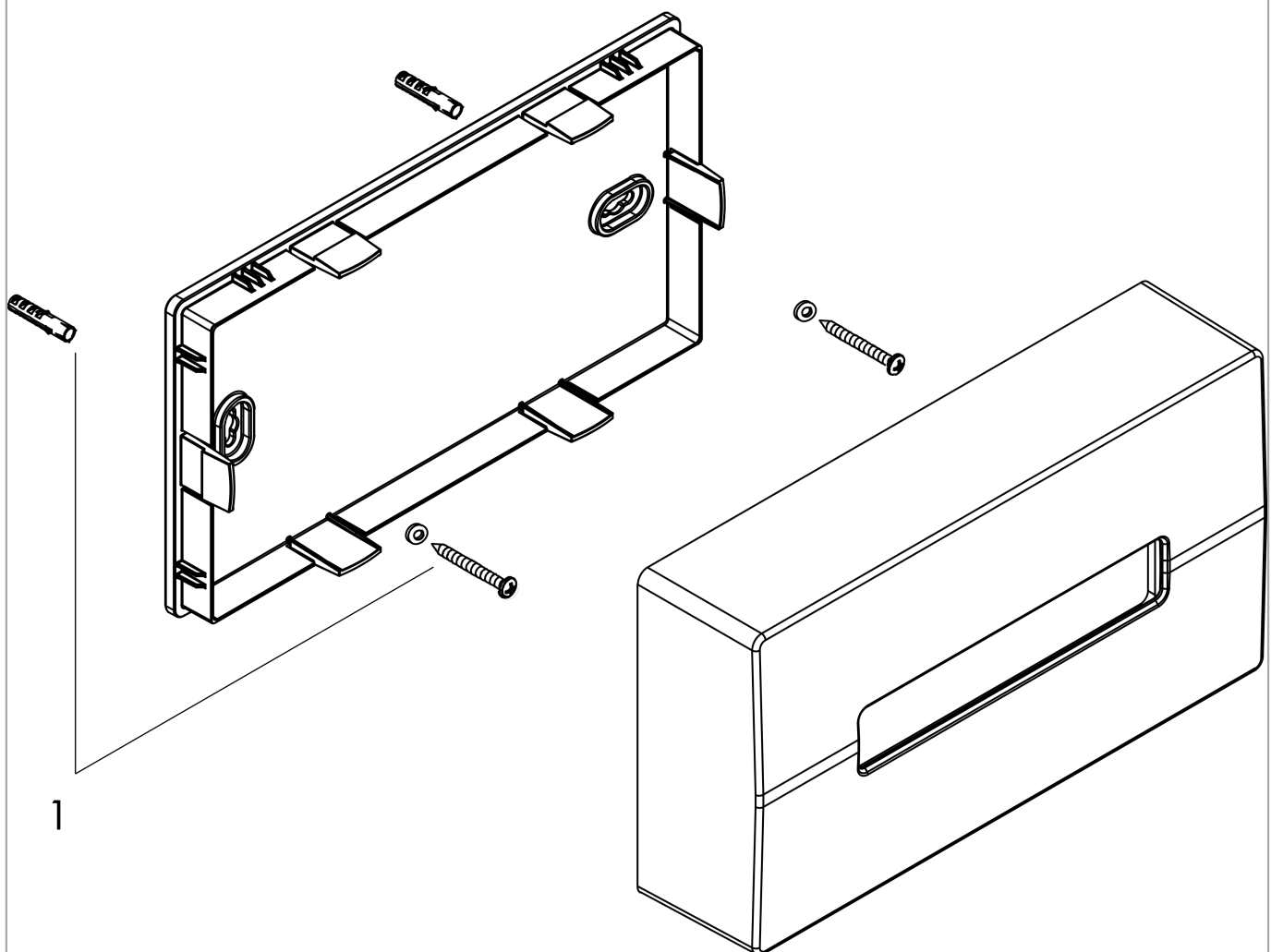
Surfaces: **Brushed Black Chrome**

Article Number: **41774340**



Exploded Drawing

Year of production: >04/21



AddStoris
Tissue box
 Surfaces: **Brushed Black Chrome** Article Number: **41774340**



Spare part list

Year of production: >04/21

Pos.	Description	Article Number	Price	PU
1	mounting set	40915000	-	1